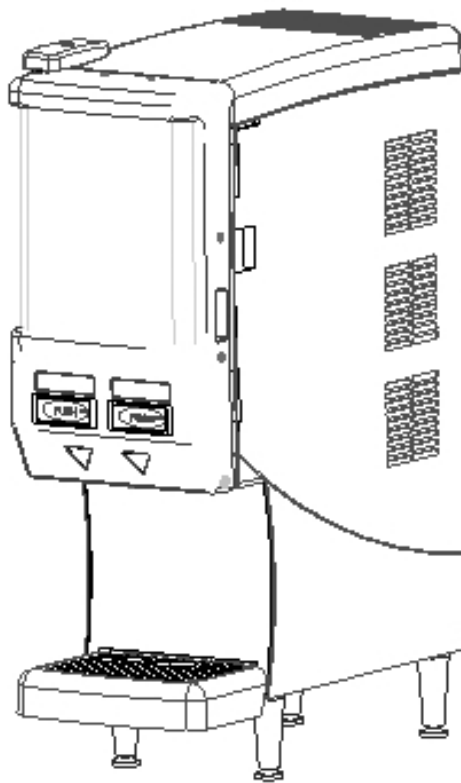




---

## QUEST ELITE 2000

### IPL Manual



**Release Date: February 17, 2011**

**Publication Number: 620048922IPL**

**Revision Date: N/A**

**Revision: A**

**Visit the IMI Cornelius web site at [www.cornelius.com](http://www.cornelius.com) for all your Literature needs.**

---

The products, technical information, and instructions contained in this manual are subject to change without notice. These instructions are not intended to cover all details or variations of the equipment, nor to provide for every possible contingency in the installation, operation or maintenance of this equipment. This manual assumes that the person(s) working on the equipment have been trained and are skilled in working with electrical, plumbing, pneumatic, and mechanical equipment. It is assumed that appropriate safety precautions are taken and that all local safety and construction requirements are being met, in addition to the information contained in this manual.

This Product is warranted only as provided in Cornelius' Commercial Warranty applicable to this Product and is subject to all of the restrictions and limitations contained in the Commercial Warranty.

Cornelius will not be responsible for any repair, replacement or other service required by or loss or damage resulting from any of the following occurrences, including but not limited to, (1) other than normal and proper use and normal service conditions with respect to the Product, (2) improper voltage, (3) inadequate wiring, (4) abuse, (5) accident, (6) alteration, (7) misuse, (8) neglect, (9) unauthorized repair or the failure to utilize suitably qualified and trained persons to perform service and/or repair of the Product, (10) improper cleaning, (11) failure to follow installation, operating, cleaning or maintenance instructions, (12) use of "non-authorized" parts (i.e., parts that are not 100% compatible with the Product) which use voids the entire warranty, (13) Product parts in contact with water or the product dispensed which are adversely impacted by changes in liquid scale or chemical composition.

### **Contact Information:**

To inquire about current revisions of this and other documentation or for assistance with any Cornelius product contact:

**[www.cornelius.com](http://www.cornelius.com)**

**800-238-3600**

### **Trademarks and Copyrights:**

This document contains proprietary information and it may not be reproduced in any way without permission from Cornelius.

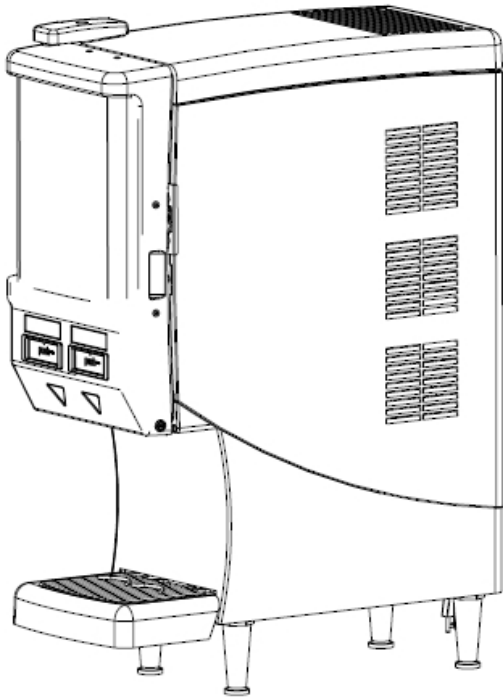
Printed in U.S.A.

---

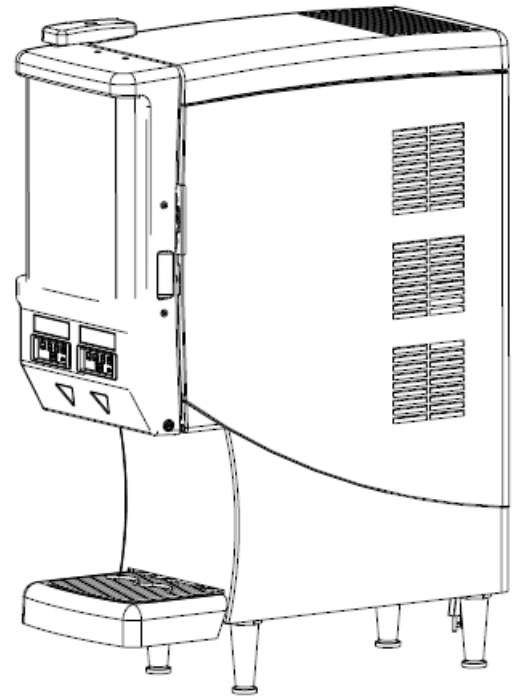
# TABLE OF CONTENTS

Quest Elite Units . . . . .	1
2000 Final Assembly . . . . .	2
2000 Door Assembly (Pushbutton & Portion Control) . . . . .	3
Cabinet Assembly . . . . .	4
Tank Cover Assembly . . . . .	5
Refrigeration Frame Assembly . . . . .	6
Platform Assembly QLT . . . . .	7
Platform Assembly SLJ . . . . .	8
Pump Assembly . . . . .	9
Bottle Adapter Assembly . . . . .	10
Valve Block Assembly . . . . .	11
Electrical Box Assembly . . . . .	12
Electrical Box Assembly . . . . .	13
Generic Bottle Assembly . . . . .	14
Spare Parts List . . . . .	15





**2000 Unit with Pushbuttons**



**2000 Unit with Portion Control**

**Figure 1. Quest Elite Units**

**Table 1. Top Quest 2000 Assembly**

Part No.	Description
721412101	Quest 2000, SLJ FLUSH, 2FL, 115/60, Pushbutton, Illuminated
721412111	Quest 2000, SLJ FLUSH, 2FL, 115/60, Portion, Illuminated
721412201	Quest 2000, SLJ FLUSH, 2FL, 230/50, Pushbutton, Illuminated
721412211	Quest 2000, SLJ FLUSH, 2FL, 230/50, Portion, Illuminated
721412301	Quest 2000, SLJ FLUSH, 2FL, 220/60, Pushbutton, Illuminated
721422311	Quest 2000, SLJ FLUSH, 2FL, 220/60, Portion, Illuminated

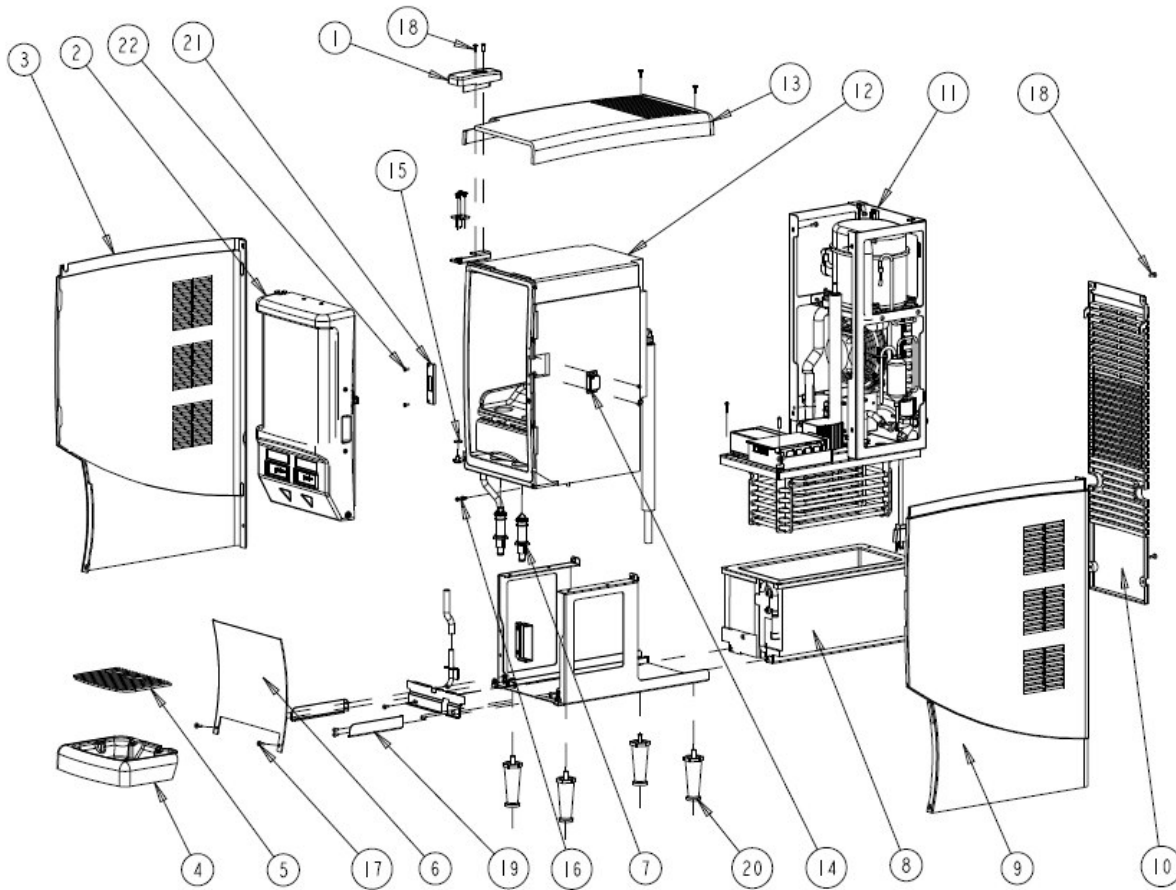


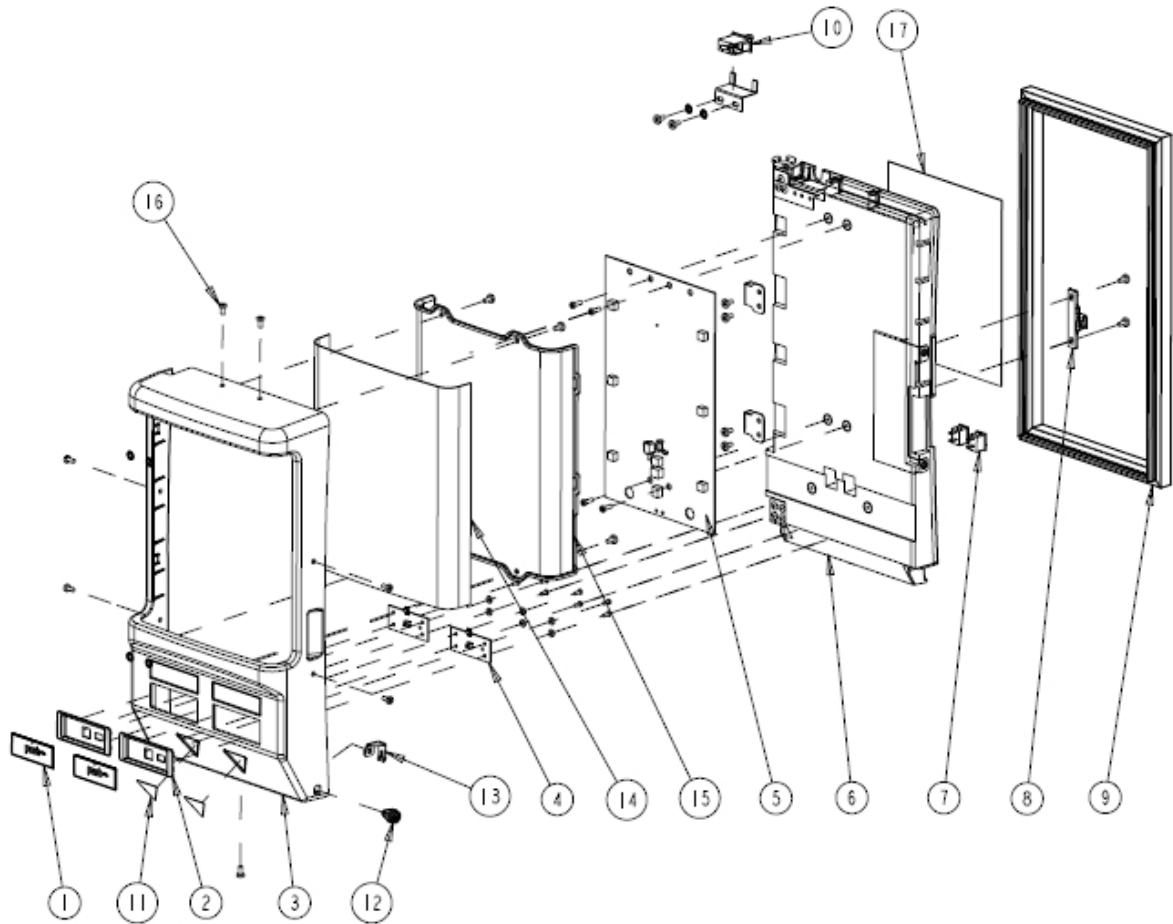
Figure 2. 2000 Final Assembly

Table 2. 2000 Final Assembly

Item	Part No.	Description
1	620047969	Hinge Top Cover, Quest Elite 2/4 FL
2	620047743	Door Assembly, Reference PB/PC
3	620048897	Side Panel LH. Quest Elite 2/4 FL
4	620049855	Drip Tray, Black W/Texture, Quest Elite 2 FL
5	620708562	Cup Rest W/LOC Quest 2 STND 8.1 X
6	620048648	Splash Panel Guard, Quest Elite 2 FL
7	620715835	Nozzle Static Mixer ASMB
8	620049092	Tank Assembly Quest Elite 2FL
9	620048896	Side Panel RH. Quest Elite 2/4 FL
10	620050923	Rear Panel, Quest 2 FL
11	620047890	Refrigeration Frame Assy, 115V, QST Elite 2FL
	620049029	Refrigeration Frame Assy, 230V, QST Elite 2FL
12	620050420	Cabinet Assy Ref. 115/230V Versions
13	620048898	Top Panel W/Cut, QST Elite 2 FL
14	720704004	Door Catch, Female 2 F L/4 F L
15	620049566	P-Washer, Hinge Bottom QST2, 2/4 FL
16	620047782	P-Pin, Latch Cabinet QST2

Table 2. 2000 Final Assembly

Item	Part No.	Description
17	704105	Screw MA #8-32 TRPH 16 SS
18	70178	Screw MA #8-32 TRPH 16 SS
19	620047429	Brkt, Drip Tray, Right, QST 2/4 FL
	620047428	Brkt, Drip Tray, Left, QST 2/4 FL
20	37958	Leg Level 4"
21	720201440	Brkt, Catch Strike Plate QST-NT
22	720701405	Screw TB D6-18 PAPH 12 SS
23	720507502	Kit Packaging QST 2000 (not shown)
24	620048922	Kit Literature Pkg QST 2FL (not shown)
25	620048049	Label, System Wiring Diagram, Quest Elite, 2 FL (not shown)
26	620049854	Harness, Ground, Hinge Bracket, Quest Elite, 2/4 FL (not shown)
27	620047943	Harness Door, QST2, 2FL (not shown)
28	620048959	Harness to Power Cord QST2, 2/4FL
29	11732	Harness Assembly Platform SLJ 1000 (not shown)


**Figure 3. 2000 Door Assembly (Pushbutton & Portion Control)**
**Table 3. 2000 Door Assembly**

Item	Part No.	Description
1	620047753	Overlay Assembly, Pushbutton Control, Quest
	620047750	Overlay Assembly, Portion Control, Quest Elite, 2/4
2	620047751	Bezel, Pushbutton, Silver, Quest Elite, 2/4 FL
	620047968	Bezel, Portion Control, Silver, Quest Elite, 2/4 FL
3	620047745	Merchandiser, Quest Elite, 2FL
4	45018001	Board Pushbutton SLJ, Quantum
	49280001	Board Portion Control SLJ, Quantum
5	620047679-100	LED Quest PCBA Backlight Family
6	620047754	P-Assembly, Door Foamed, Quest Elite, 2FL
7	45432	Switch Rocker Sealed
8	720704005	Latch Door Male
9	620047759	Seal, Door, Quest Elite, 2FL
10	720500713	Switch Cut off 10 A MOM E6900A

**Table 3. 2000 Door Assembly**

Item	Part No.	Description
11	620049097	Label, Triangle Nozzle Indicator, Mirror Finish
12	729011214	Kit, Lock & Key Door Quest Elite 2FL/4FL
13	620047748	Latch Mounting Lock
14	620047761	Graphic, Generic, Quest Elite, 2FL
15	620047760	Lens, Quest Elite, 2FL
16	704101	Screw MA 8-32 TRPH 12 SS
17	620052151	Label Daily Flush & Cleaning
18	629097007	Kit 1, Flavor Strip Quest Elite, 2/4FL (not shown)
	629097008	Kit 2, Flavor Strip Quest Elite, 2/4FL (not shown)
19	729011218	Kit, Conversion PB to PC, QSTE 2FL
	729011219	Kit, Conversion PC to PB, QSTE 2FL

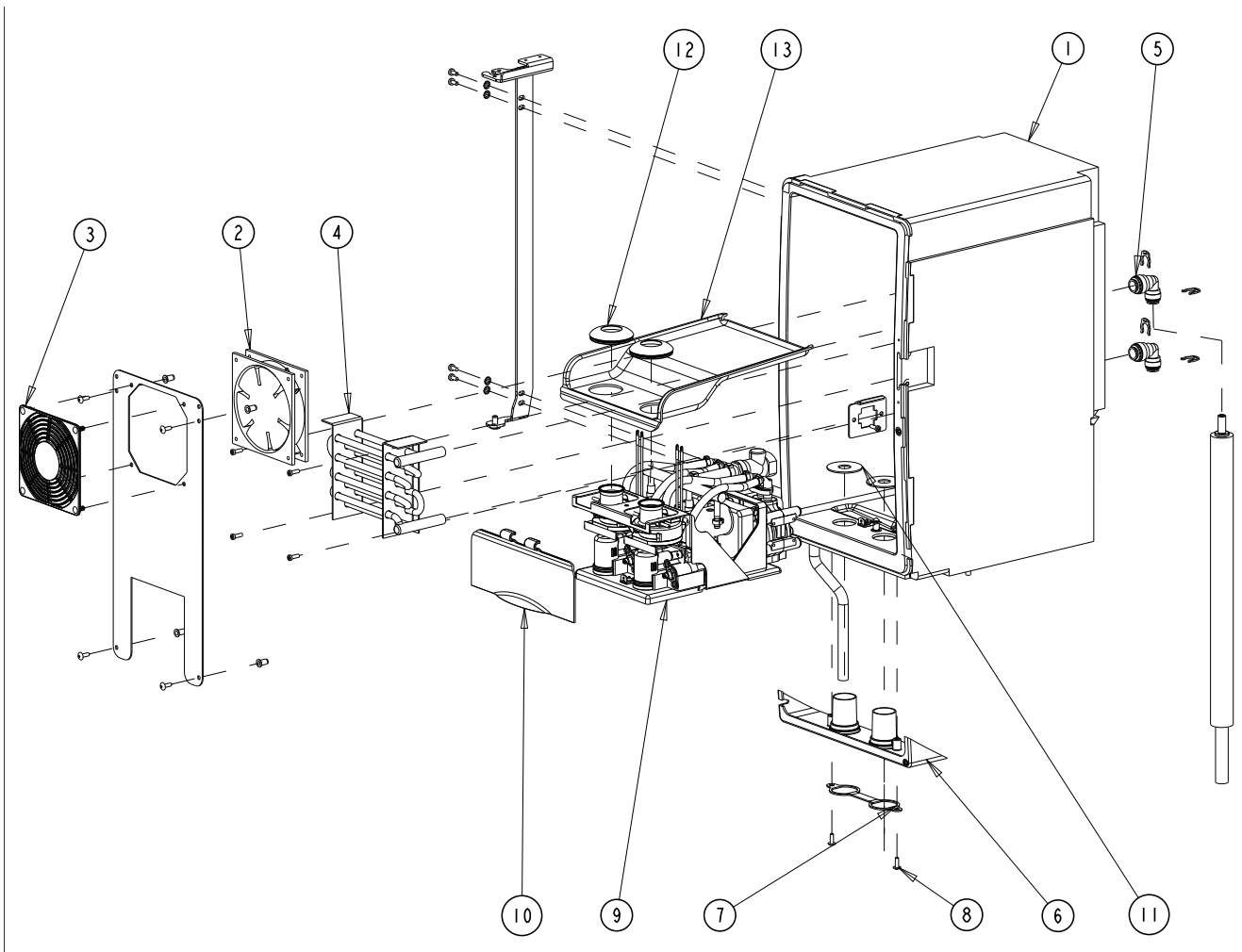


Figure 4. Cabinet Assembly

Table 4. Cabinet Assembly

Item	Part No.	Description
1	620049842	Cabinet Assembly, Foamed, Quest Delete, 2FL
2	720506104	Fan Assembly 115/60/50 4.7 X 4.7X1.0
	720506105	Fan Assembly 230/50/60 4.7 X 4.7 X1.0
3	620047512	Guard, Fan EBM 9000 & 4000
4	620049556	Cabinet HX, Quest Elite, 2FL
5	720509206	Fitting Push, Union Elbow, 3/8"X 1/2" LG

Table 4. Cabinet Assembly

Item	Part No.	Description
6	620047970	Trim Bottom W/Insert, Quest Elite, 2FL
7	720201479	Bracket Dual Nozzle Block Quest
8	7040007	Screw Machine, #8-32 PAPH 28SS
9	720401801	Platform Assembly, Quest
10	720532102	Platform Door, Quest 2FL
11	S3354	Bowl Spout Sealing Gasket
12	720703301	Grommet, Seal Platform Cover Quest
13	720201510	Shelf, Cabinet, Quest 2FL

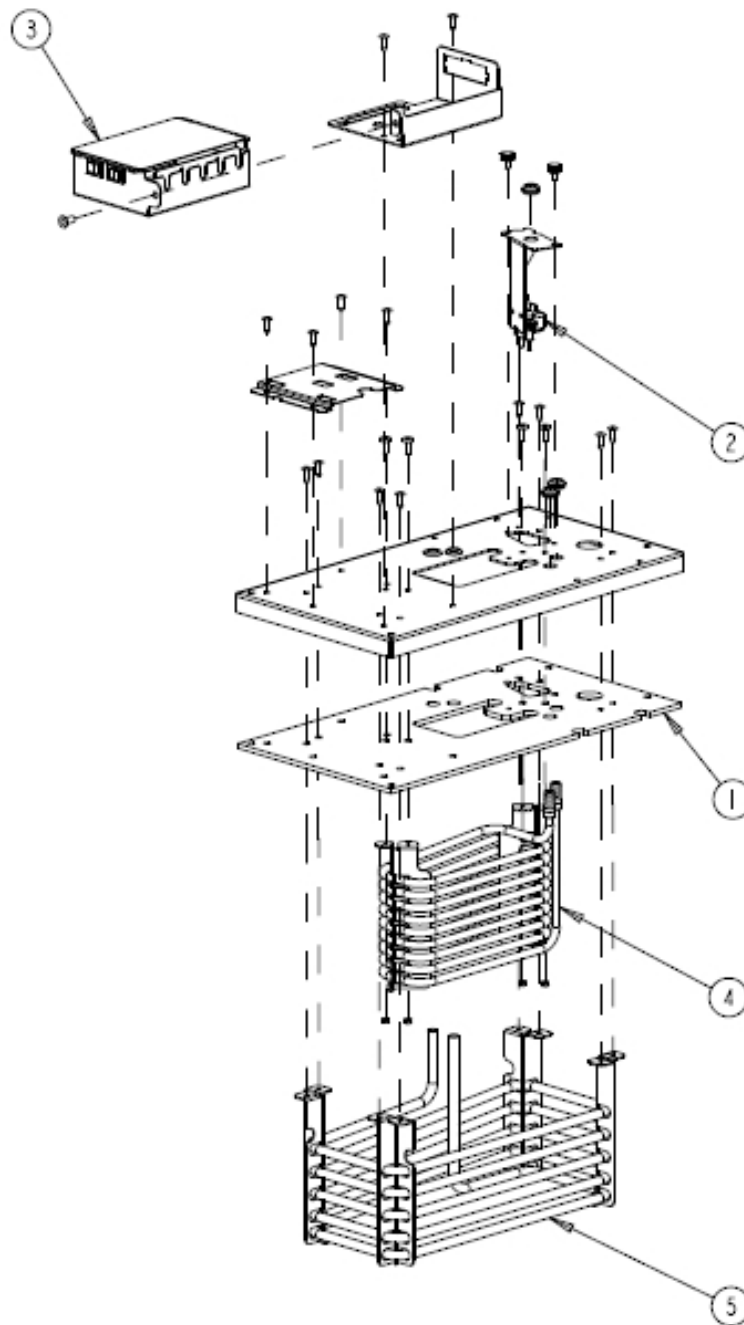


Figure 5. Tank Cover Assembly

Table 5. Tank Cover Assembly

Item	Part No.	Description
1	620047896	Insulation Cover Water Tank, Quest Elite, 2FL
2	620607112	Probe Ice Bank GCC W/Clip

Table 5. Tank Cover Assembly

Item	Part No.	Description
3	720504304	Box Electric Assembly Quest 2 SLJ
4	620049563	Coil, Refrigeration Quest Elite 2FL
5	720501502	Coil, Water, Quest 2, 2FL

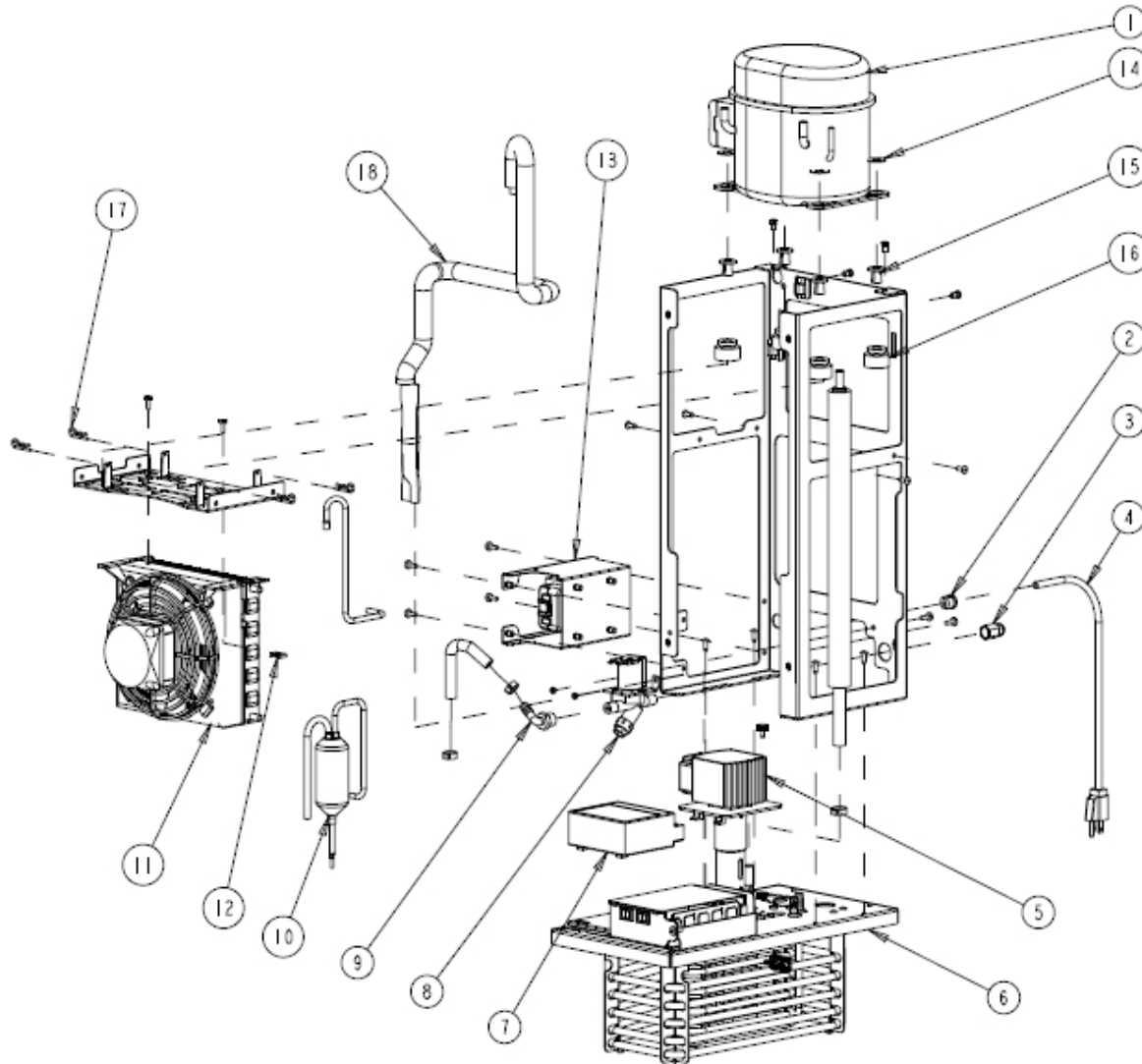


Figure 6. Refrigeration Frame Assembly

Table 6. Refrigeration Frame Assembly

Item	Part No.	Description
1	729011215	Kit, 115V Compressor & Filter Dryer
	729011216	Kit, 230V Compressor & Filter Dryer
2	7221320	Strain Relief
3	620048659	Adapter, 1/2"FNPT To 3/8"Mail Flare
4	46384	Cord, Service 115V
	620049959-003	Cord, Service 230V
	620048457	Cord, Service 220V
	620051429	Cord, Power, ME Version QSTE 2/4FL
5	620042742	Agitator Motor Assembly 115V
	620042741	Agitator Motor Assembly 230V/50
6	620047892	Tank Cover Assembly, Quest Elite, 2FL
7	440000902	Control Ice Bank 120/60 Quest
	440000901	Control Ice Bank 230V Global

Table 6. Refrigeration Frame Assembly

Item	Part No.	Description
8	620047891	Valve Water W/Solenoid, Quest Elite, 2/4FL
9	620049857	Reducer, Elbow, 1/2 inch to 1/4 inch Barb
10	620047114	2 Cubic Inches, Filter Dryer
11	560003705	Fan, Condenser Assembly, 115V, Quest Elite 2FL
	560003706	Fan, Condenser Assembly, 230V, Quest Elite 2FL
12	6775	Clip Tin CB14-832-4
13	620047655	Transformer, 115V, Quest Elite 2/4FL
	620047654	Transformer, 230V, Quest Elite 2/4FL
14	9649	Washer Comp Mount
15	317781000	Bushing, Split
16	620049560	Grommet, AE COMP, Quest 2
17	8474	Clip Spring
18	620051406	Suction HX Assembly, Quest Elite 2FL

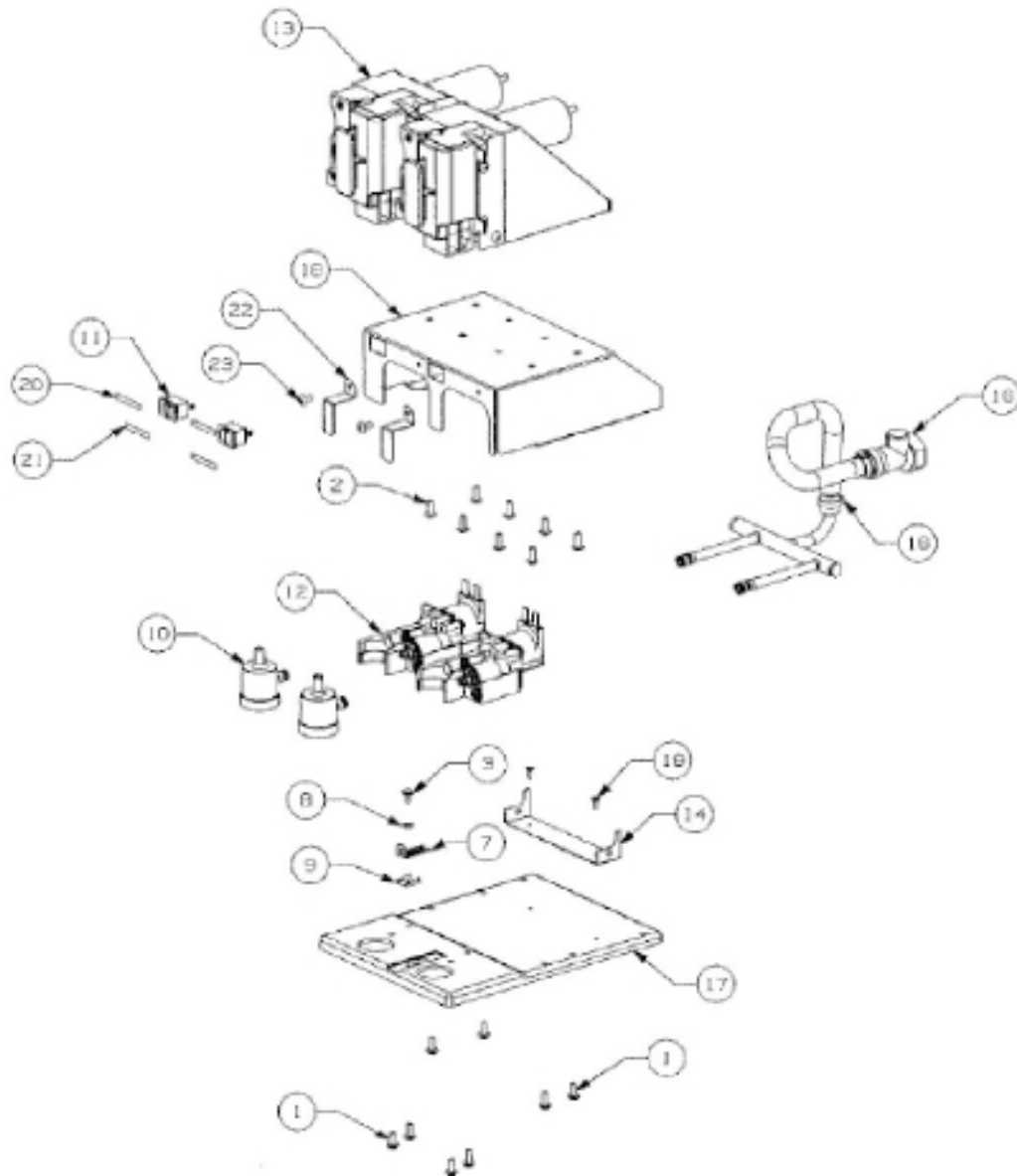


Figure 7. Platform Assembly QLT

Table 7. Platform Assembly QLT

Item	Part No.	Description
1	78032001	Screw #8-18X 7/16 Type 25 HHW
2	704105	Screw #8-30 2X 1/2 inch LG THMS
3	720701001	Rivet Platform Base Quest
4	11877	Jumper Assembly Read Flush QLT 180
5	11887	Jumper Assembly Red Flush Switch AL
6	11888	Harness Assembly Platform SLJT1000-2
7	45046	Latch #2 Medium SS
8	45047	Guide Latch #2 MED
9	45048	Washer Latch #2 MED
10	45364001X	Chamber Mixing Assembly QLT 180 Day
11	45432	Switch Rocker Sealed

Table 7. Platform Assembly QLT

Item	Part No.	Description
12	45508200X	Valve Block Assembly QLT Generic
13	45514100X	Pump Assembly QLT 180
14	45542	Manifold Bracket QLT 180 2 FLAV
15	55145	Wrap, Tye 5 1/2 inch Long
16	720509312	Manifold Assembly Water QLT/QST2
17	720520301	Base Platform QLT QST2
18	720522011	Bracket Support Platform QST2
20	7245541	Label Run Flush QLT 180
21	7245821	Label Clean
22	720501429	Bracket Water Adjustment Cover QS
23	7115001	Screw TF 8-32 TRPH 12SS

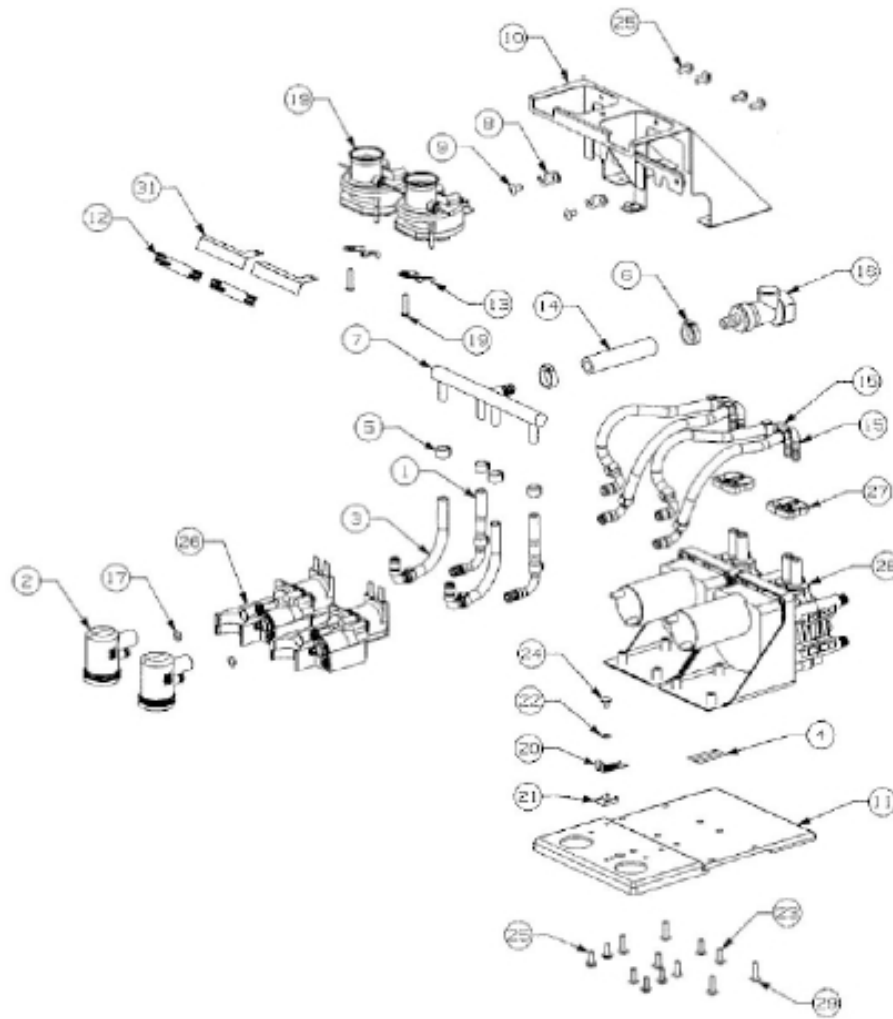


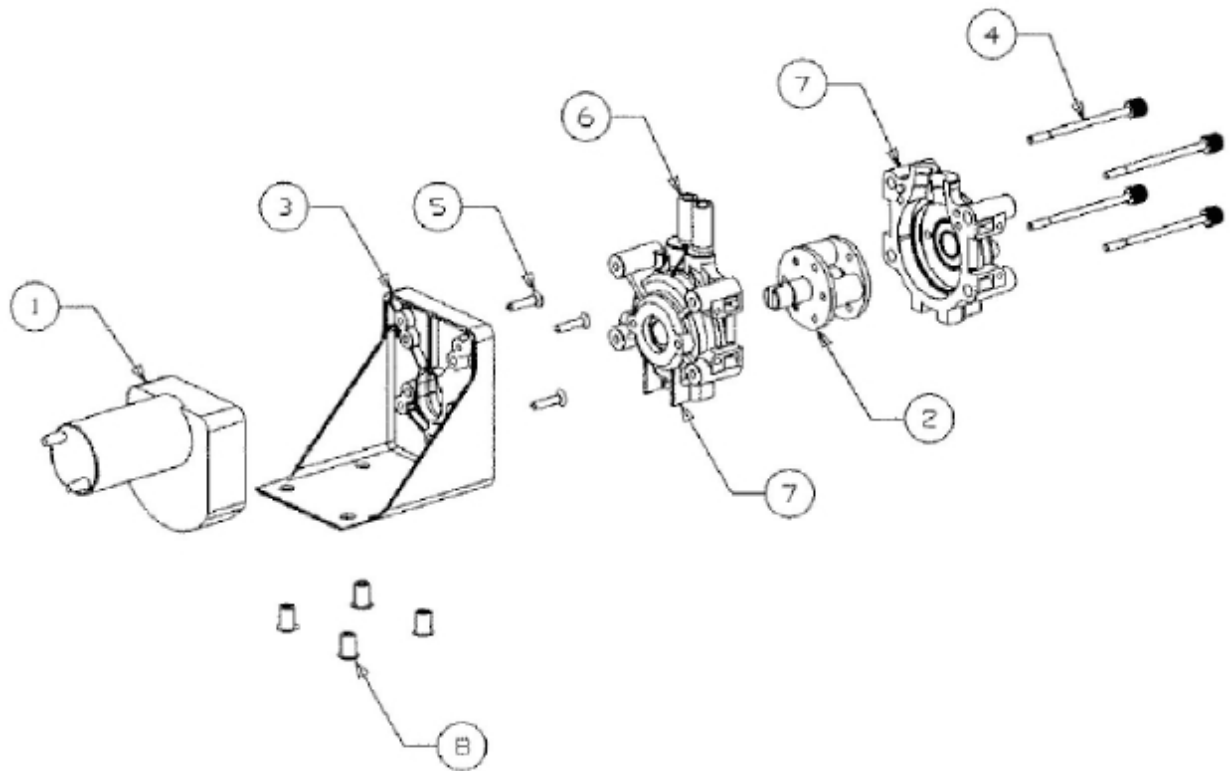
Figure 8. Platform Assembly SLJ

Table 8. Platform Assembly SLJ

Item	Part No.	Description
1	720509104	Tube Assembly Water Valve Inlet
2	720500033	Chamber Mixing QST4
3	720509105	Tube Assembly Water Rinse Inlet
4	47554	Label Notice Data
5	48114004	Clamp Oetr 413Open STPLS #10.5
6	48114002	Clamp Oetr 669 Open STPLS #17.0
7	70509304	Manifold Water SS Quest 4
8	724558601	Clip Tube Retainer QST
9	704101	Screw Machine 8-32 TRPH12SS
10	720201433	Bracket Assembly Platform SLJ QST IHOP
11	720202704	Base Platform SLJ QST IHOP
12	720901004	Label Dispense/Flush QST
13	720501209	Bracket Washer Hold Down Hook UST
14	49034	Tube TYGON 3/8 ID X 5/8
15	720509103	Tube Assembly Suction Quest
16	720720498	Coupling In-line 3/8 ID HC35

Table 8. Platform Assembly SLJ

Item	Part No.	Description
17	31525003	O-ring 239 ID 070CS 60DU BU-N
18	11732	Harness Assembly Platform SLJ 1000
19	45026X	Adapter Bottle Assembly SL DIS P
20	45046	Latch #2 Medium SS
21	45047	Guide Latch #2 MED
22	45048	Washer Latch #2 MED
23	704105	Screw #8-30 X 1/2 inch LG THMS
24	720701001	Rivet Platform Base QST
25	7032001	Screw #8-18 X 7/16 Type 25 HHW
26	45508200X	Valve Block AS QLT Generic
27	48195006	Clamp Hose .470 ID
28	45185X	Pump & Motor Assembly 3-Roller
29	704107	Screw #8-30 2X 5/8 THMS SS
30	720501706	Cap Plug .093 ID X 50 Long 1/2 inch
31	720201434	Bracket Platform Label SLJ QST


**Figure 9. Pump Assembly**
**Table 9. Pump Assembly**

Item	Part No.	Description
1	45016001	Pump Gear Motor
2	45728001	Rotor Assembly (Thick Wall)
3	45050	Pump & Motor Mounting Block
4	720701407	Thumb Screw, #8-30 2X 3 inch LG
5	702905	Screw, #8-30 2X 3/4 inch FHMS
6	45098	Pump Tubing Kit (Pump Tubing, Clamps & Instructions)
*	45078	Pump Assembly (Items 2 & 7)
7	45727	Pump Body, Front/Rear
8	45283	Rubber Bushing W/Nutsleep Insert

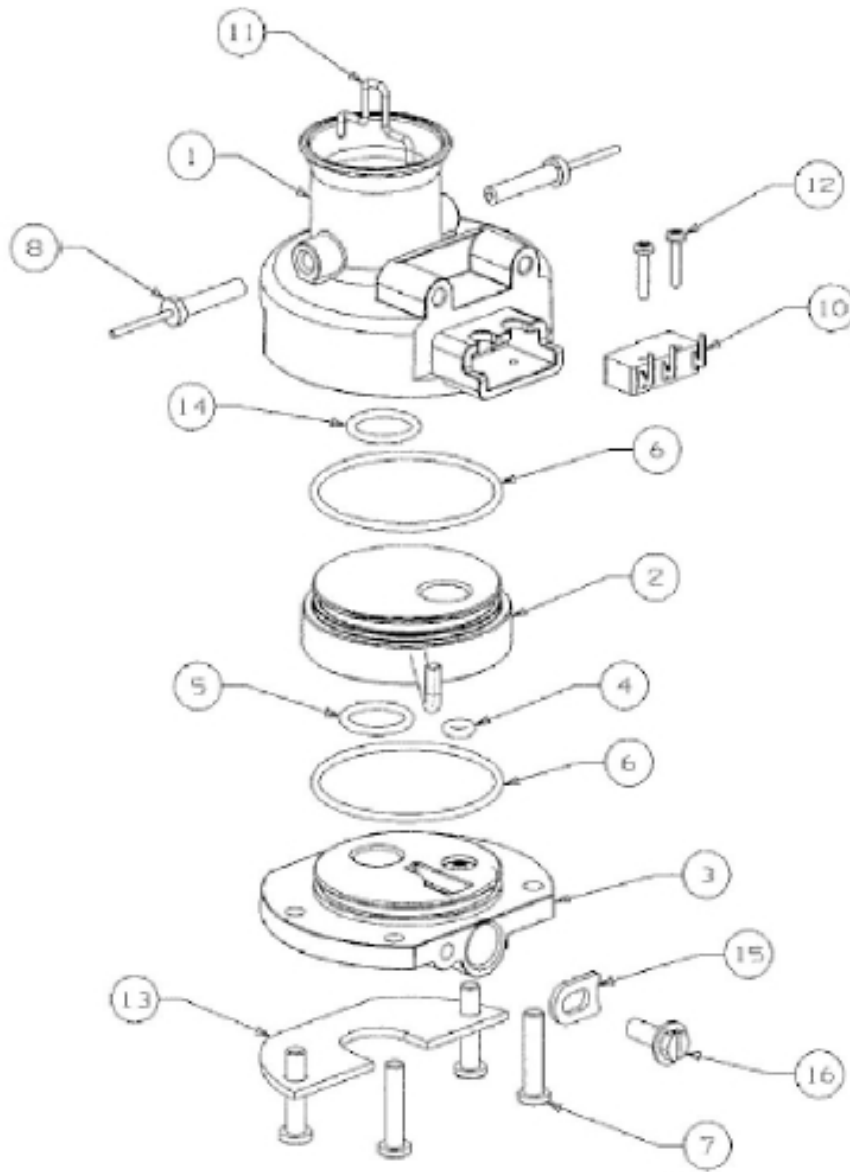


Figure 10. Bottle Adapter Assembly

Table 10. Bottle Adapter Assembly

Item	Part No.	Description
1	45060001	Caddy Adapter, Top
2	45060002	Run & Flush Valve
3	45060003	Caddy Adapter, Bottom
4	620051432	O-Ring Blue 0.120 ID & C/S .080 Dia Quest Elite's
5	31525064	O-Ring 5/8 inch OD X 0.489 ID TFE/SIL
6	31525061	O-Ring 1.489 inch ID X 0.070 inch DIA
*	45026100	O-Ring Kit (Includes All O-Rings Needed to Rebuild Bottle Adapter)
7	7015001	Screw, #8-18 HI-LO, PH
8	45043	Pin-Sensor, Sold Out

Table 10. Bottle Adapter Assembly

Item	Part No.	Description
10	6006821	Switch, Snap Action
11	45076	Actuator Pin
12	60067086	Screw, #2-50 6X 7/16 inch PH, SS
13	45084001	Caddy Plate
14	31525014	O-Ring 5/8 inch OD X 0.489 ID
15	7222081	Hold Down Washer
16	7032001	Screw, #8-18 X 7/16 Type "25" HHWF

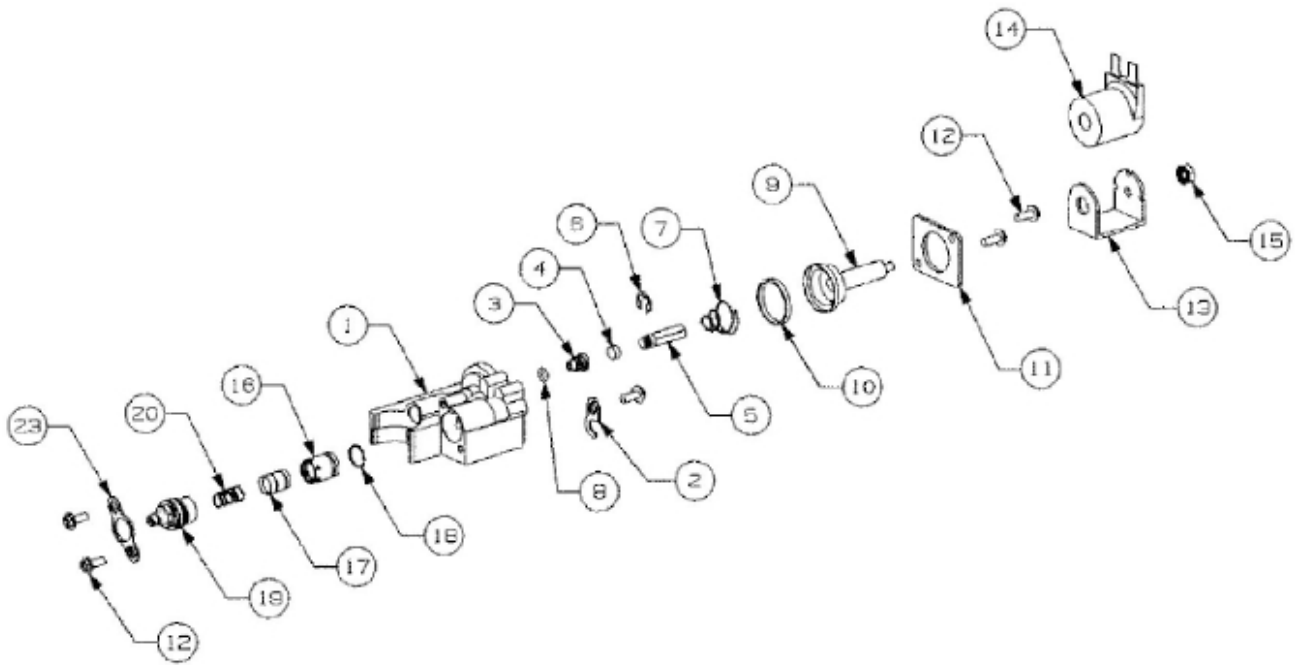


Figure 11. Valve Block Assembly

Table 11. Valve Block Assembly

Item	Part No.	Description
1	45506100	Valve Block
2	45586	Hold Down Washer
3	49612	Valve Port, Water
4	18071	Armature Seat, Water, FFV
5	7215323	Armature, Solenoid Valve
6	71815321	Retaining Ring, 0.242 ID
7	18367	Coil Spring, SS
8	31525020	O-Ring 5/16" OD X 0.176 ID
9	19695001	Guide
10?	620710107	Rubber Gasket, Valve Block
11	45518	Bracket, Valve Block

Table 11. Valve Block Assembly

Item	Part No.	Description
12	7032001	Screw, #8-18 X 7/16" Type "25" HHWF SS
13	16779003	"C" Frame, Solenoid
14	48520001	Coil, 24VDC
15	720406	Not #10-32 KEPS
16	60281001	Ceramic Sleeve, Syrup, FFV
17	60280002	Ceramic Piston, Water, FFV
18	31525060	O-Ring 0.539" X0.459" X0.875" OD
*	48979103	Spool & Sleeve Assembly (Includes Items 16, 17 & 18)
19	7245699	Flow Control/Bonnet Assembly
20	48258005	Spring, Zero, FFV
23	45587	Hold Down Washer

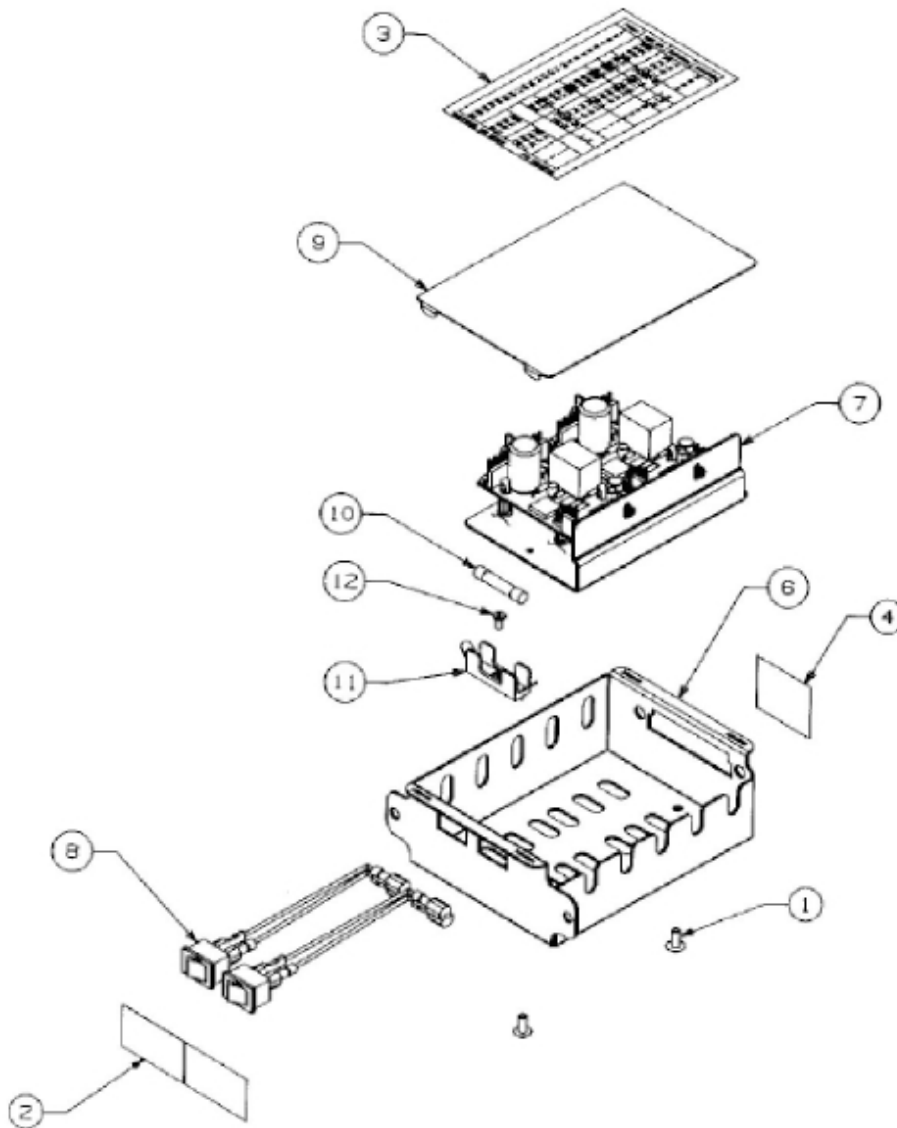


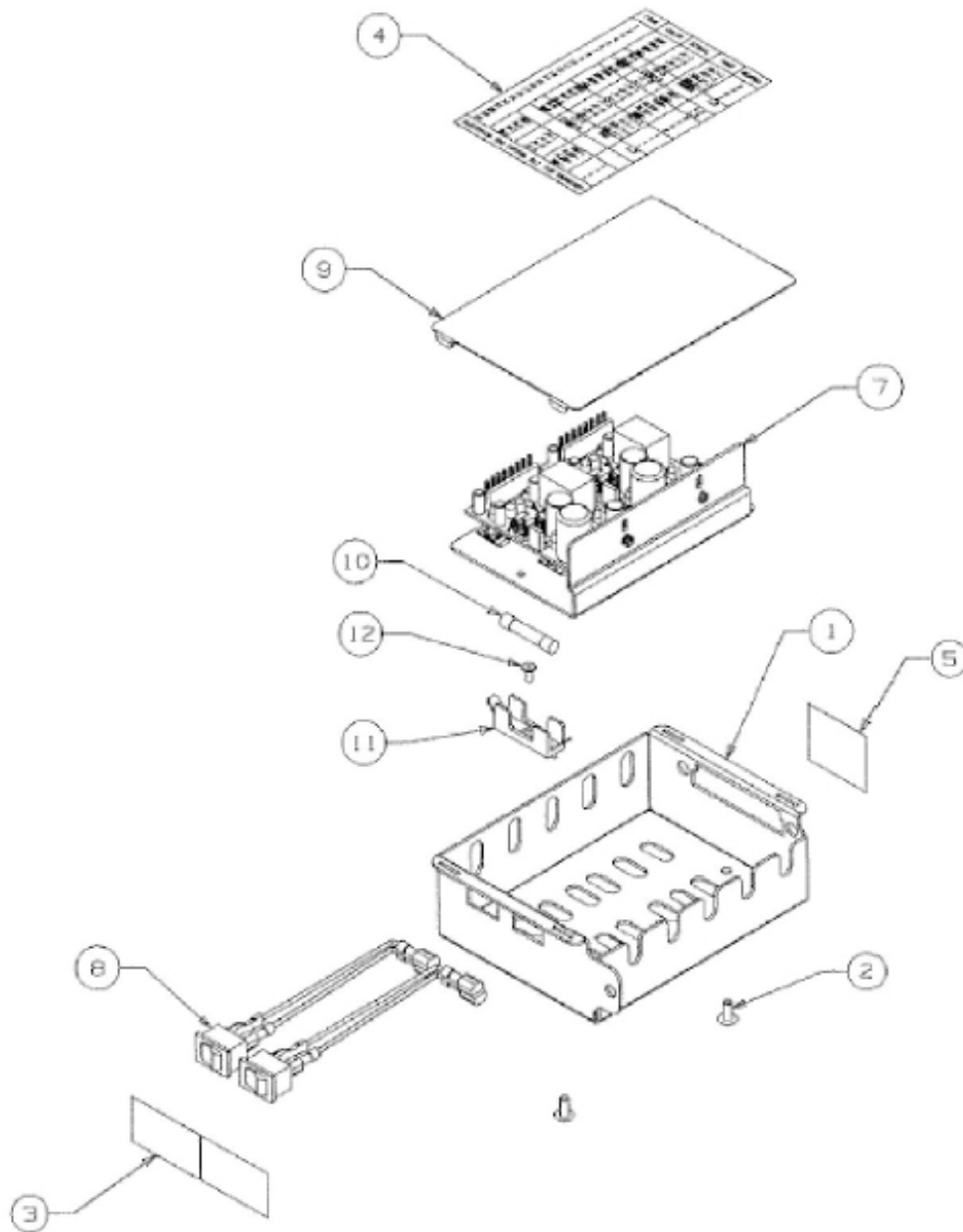
Figure 12. Electrical Box Assembly

Table 12. Electrical Box Assembly

Item	Part No.	Description
1	7115001	Screw TF, #8-32 TRPH, 12 SS
2	45621	Label Pump Speed Switch
3	720901002	Label Wiring E-Box
4	45758	Label Fuse Rating
5	720522003	Wire Harness Internal Electrical Box QST 2000 QLT
6	720521001	Electrical Box Quest 2000

Table 12. Electrical Box Assembly

Item	Part No.	Description
7	720521500	Reg. Voltage Assembly QLT Quest 2000
8	45432001	Rocker Switch Assembly
9	720521201	Cover Electrical Box Quest 2000
10	59328001	Fuse 6.25 AMP 250V SLJ
11	7245059	Fuse Holder
12	734801	Rivet, Pop


**Figure 13. Electrical Box Assembly**
**Table 13. Electrical Box Assembly**

Item	Part No.	Description
1	720521001	Electrical Box Quest 2000
2	7115001	Screw TF 8-32 TRPH 12 SS
3	45621	Label Pump Speed Switch
4	720901003	Label Wiring Electrical Box
5	45758	Label Fuse Rating
6	720301708	Wire Harness Internal Electrical Box SLJ Quest 2000

**Table 13. Electrical Box Assembly**

Item	Part No.	Description
7	720504504	Voltage Regulator Assembly Quest
8	45432001	Rocker Switch Assembly
9	720521201	Cover Electrical Box Quest 2000
10	59328001	Fuse 6.25 A 250V SLJ
11	7245059	Fuse Holder
12	734801	Rivet, Pop

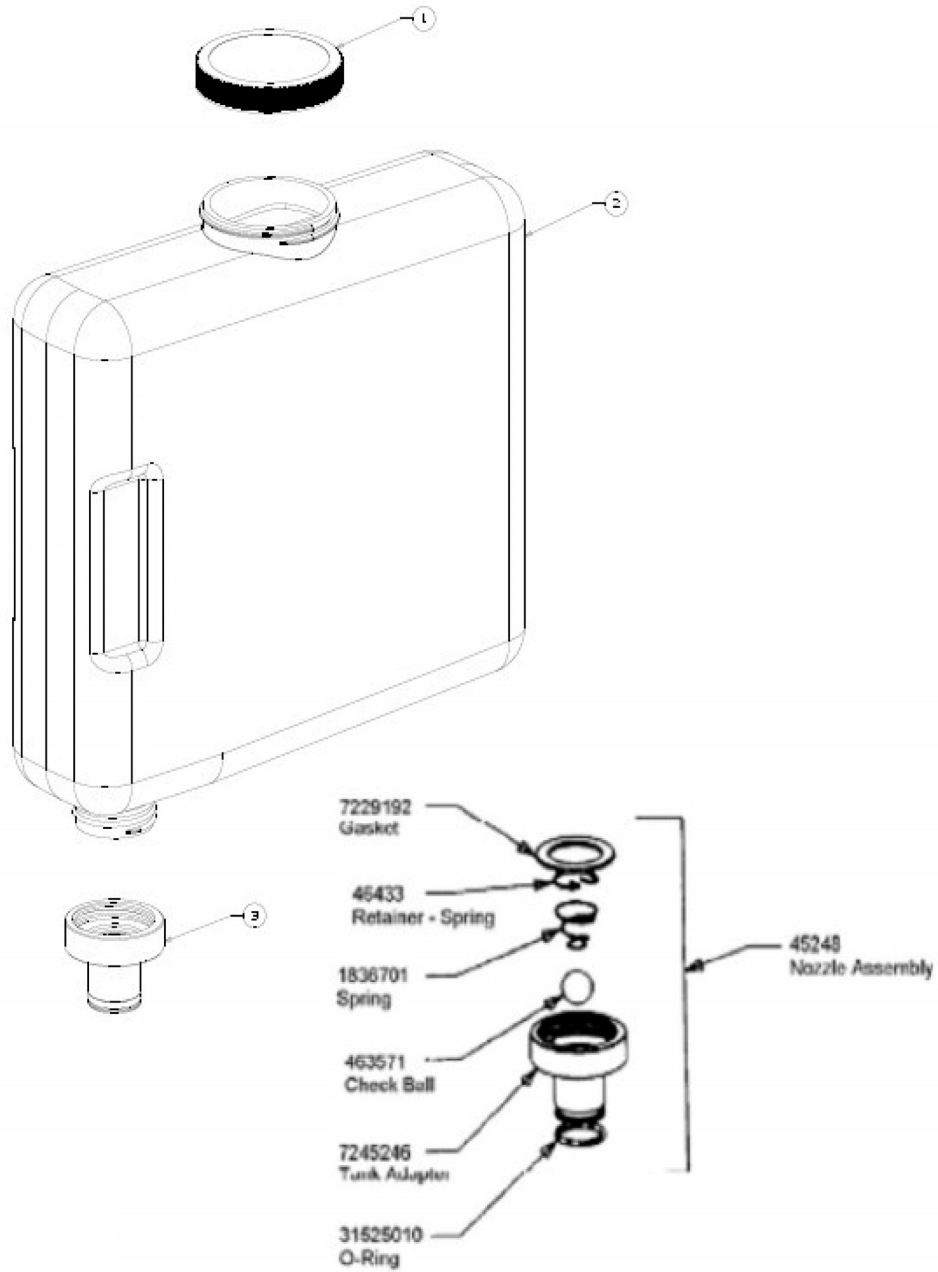


Figure 14. Generic Bottle Assembly

Table 14. Generic Bottle Assembly

Item	Part No.	Description
1	720202010	Cap 400 Series QST
2	720401106	Bottle Refillable QST
3	45248	Adapter Assembly, Bottle

## SPARE PARTS LIST

Table 15

Qty.	Part No.	Description
1	560004360	Condenser Fan, Motor 115VAC
1	560004361	Condenser Fan, Motor 230VAC
2	18367	Spring, Coil S/S-Water Solenoid
4	45098	Pump Tubing Kit
1	45432	Inner Door Switch
2	720521500	Voltage Regulator Board, QLT
2	720504602	Voltage Regulator Board, SLJ
2	45016001	Pump Dear Motor
1	45026100	Bottle Adapter O-Ring Kit (all O-rings in bottle adapter)
1	45728001	Pump Rotor Assembly
1	48520001	Coil, 24 VDC, Valve Block
2	48979103	Spool & Sleeve Assembly W/31525-060 O-Ring
1	440000902	Global Ice Bank Control
1	720520501	Drip Tray Grill
1	720500102	Drip Tray

Table 15

Qty.	Part No.	Description
1	720502800	Agitator Motor
2	720506104	Cabinet Fan, 115 VAC
1	720507101	Dispense Nozzle, Static Mixer, & O-Ring
1	720508801	Push Button Control Board
2	720508802	Portion Control Board
1	620047655	Transformer 120 V 60 Hz 26 V@ 4A2
1	620047891	Valve Water W/solenoid QS T2 2/
1	620049856	Drip Tray Black W/texture QS T
1	620047785	Comp A EA 3417 YXA QS T2 2/4FL
1	720506104	Fan Assembly 115/60/50 4.7X4.7X1.0
1	620047654	Transformer 230V 60 230V 26V@4A2
1	620048651	Compressor 230V/50HZ QST 22/4F
1	560004364	Fan Shroud
1	560004368	Grill Fan
1	560004366	Fan Blade





**IMI Cornelius Inc.**  
**[www.cornelius.com](http://www.cornelius.com)**